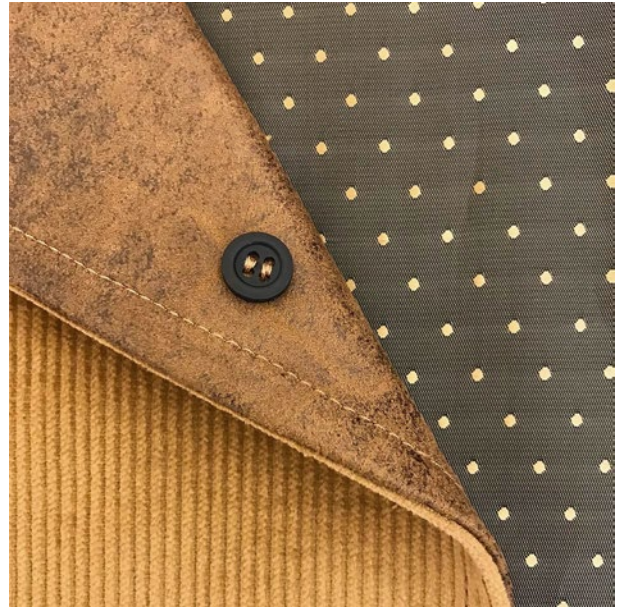
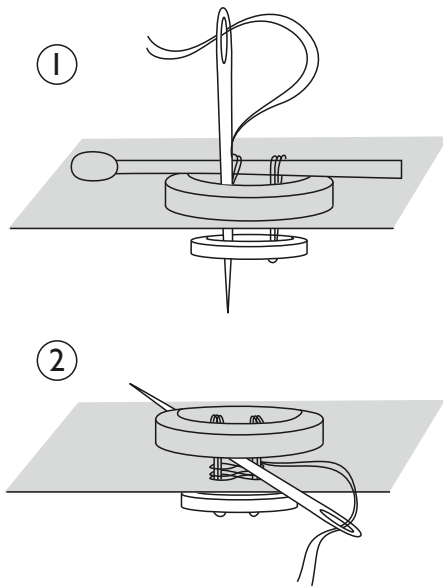


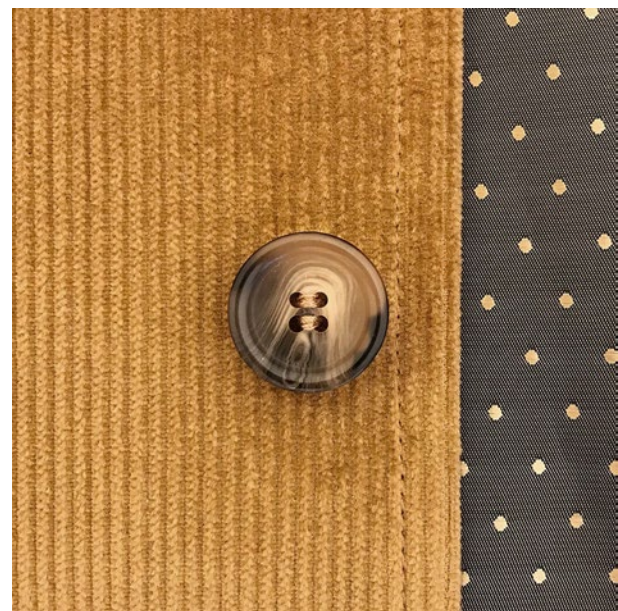
SEWING A BUTTON ON A JACKET

OTTOBRE design®
7/2019



1. Place the larger button on the right side of the front panel as marked on pattern and place the smaller reinforcing button under it on the wrong side. Lay a match (or toothpick) across the larger button and sew the buttons in place by stitching up and down through the holes of both buttons and passing the thread over the match. Stitch first one set of holes, then the other set of holes.

2. Remove the match and wrap the thread around the two sets of stitches in a figure-eight pattern to form a shank between the larger button and the garment. Secure the thread ends carefully on the wrong side.



© Copyright

The designs, instructions and patterns are only intended for personal use by sewing hobbyists. All commercial or industrial use is prohibited. The designs, instructions, patterns, drawings and photos are protected by copyright laws and the right of reproducing them by any means or in any form is exclusively reserved for the copyright holder. The transferring of the material to a device that can be used for copying it is also regarded as reproduction. All rights reserved.

© OTTOBRE design® | STUDIO TUUMAT OY |

OTTOBRE