

ZIPPERED WELT POCKET

OTTOBRE design®

4/2021, design 33
5/2021, design 7

PATTERN PIECES

- garment's front panel
- outer pocket piece
- inner pocket piece

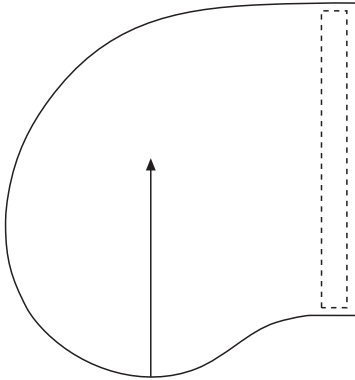
MATERIALS

- zipper, length 15 cm
- piece of interfacing

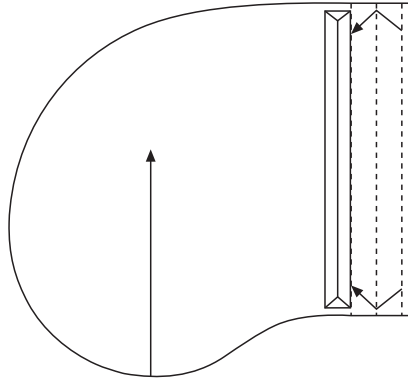
SEWING

Fuse pieces of interfacing to wrong side of front panel over pattern marking for pocket opening. Mark placement of pocket opening on right side of front panel with tailor's chalk.

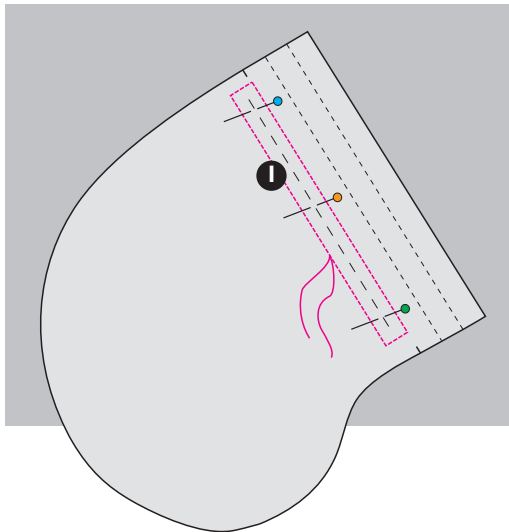
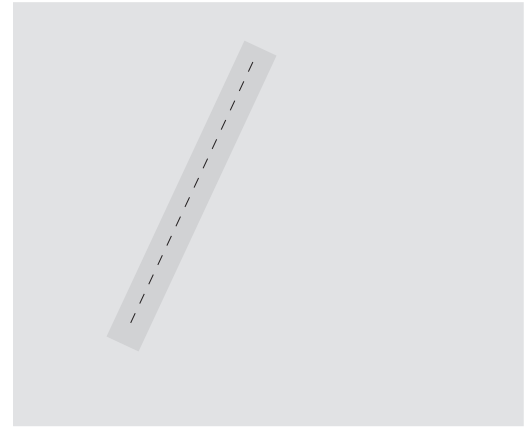
Inner pocket piece



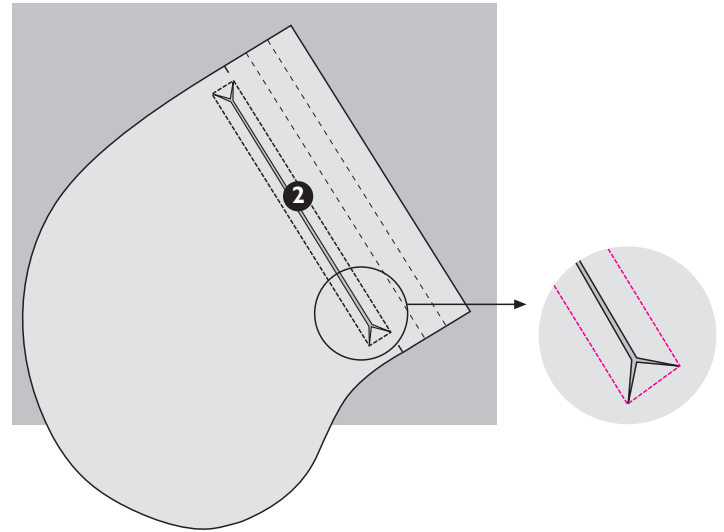
Outer pocket piece



Front



1. Pin outer pocket piece to front panel right sides together matching pattern markings. Stitch a rectangle around marked pocket opening with straight stitch, observing pattern markings.



2. Slash pocket opening as follows: Start slashing from the center of pattern marking and cut to within 10 mm of each end of pocket opening. Then clip diagonally through seam allowances at 45° angle to corners of pocket opening.

>>>

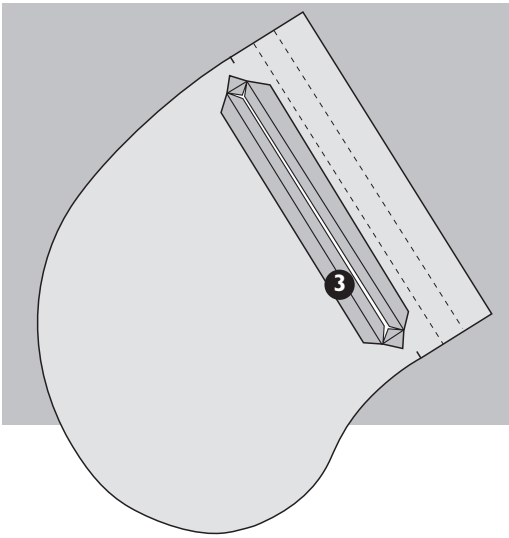
© OTTOBRE design® | STUDIO TUUMAT OY

The designs, instructions and patterns are only intended for personal use by sewing hobbyists. All commercial or industrial use is prohibited. The designs, instructions, patterns, drawings and photos are protected

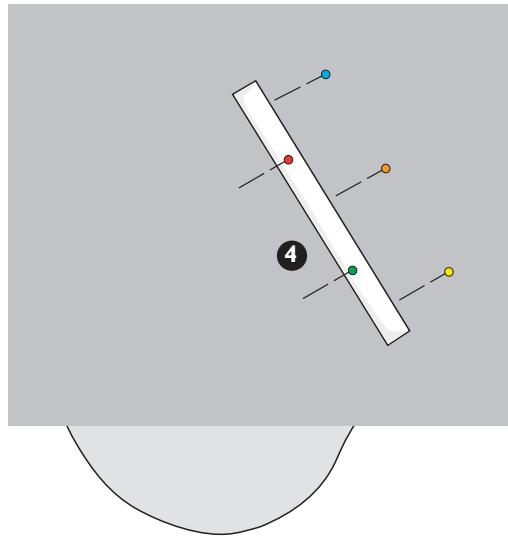
by copyright laws and the right of reproducing them by any means or in any form is exclusively reserved for the copyright holder. The transferring of the material to a device that can be used for copying it is also regarded as reproduction. **All rights reserved.**

OTTOBRE design®

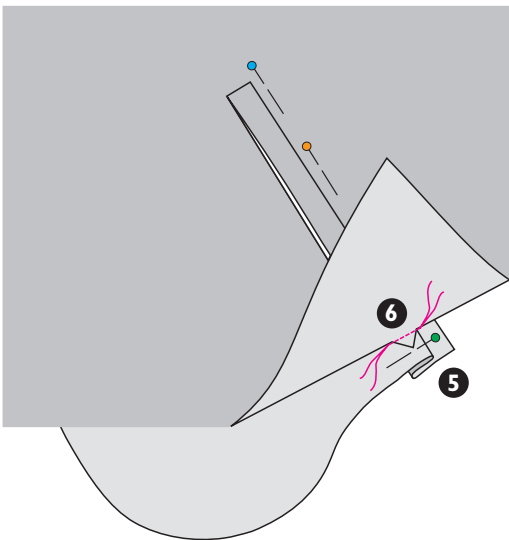
© OTTOBRE design® | ottobredesign.com | STUDIO TUUMAT OY | FINLAND | ottobre@ottobre.fi



3. Finger-press seams around pocket opening open.

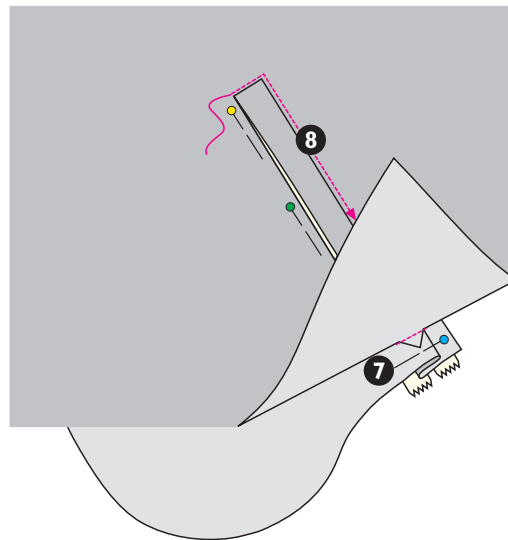


4. Fold pocket piece to wrong side and press edges of pocket opening.



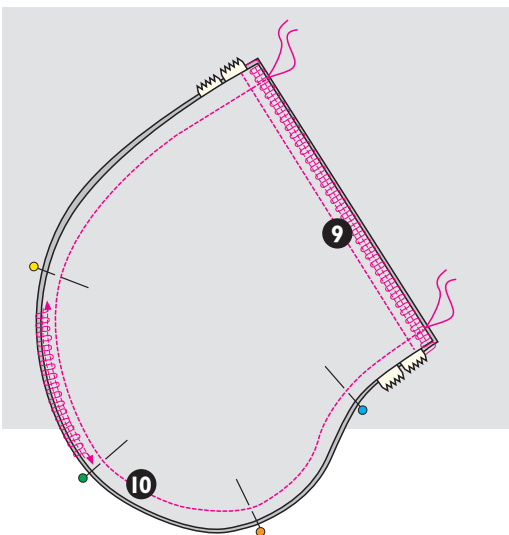
5. Fold pleat on outer pocket piece, observing pattern markings, to form pocket welt that covers pocket opening. Press pleat in position carefully.

6. Working from wrong side of pocket opening, pin and stitch triangles, formed at each end of pocket opening when slashing it, to outer pocket piece.



7. With both zipper and garment's front right side up, pin zipper under pocket opening so that it opens from top to bottom. (Baste zipper in place if necessary.)

8. Topstitch zipper to pocket opening from right side, stitching close to edges of pocket opening.



9. Pin inner pocket piece to outer pocket piece right sides together and stitch straight edges of pocket pieces together close to stitching line that attaches zipper. Serge or zigzag pocket seam allowances together.

10. Pin and stitch curved edges of pocket pieces right sides together. Serge or zigzag seam allowances together.

