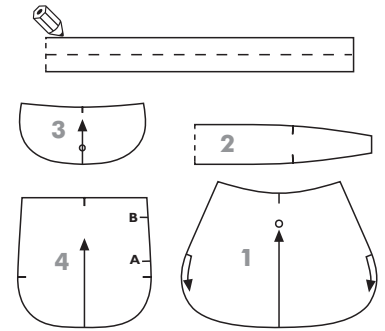


# SHOULDER PURSE FOR A CHILD

OTTOBRE design®  
3/2020

Size 12 cm x 14 cm; length of shoulder strap 70 cm



## MATERIALS

- 20 cm linen fabric (L), width 145 cm
- 15 cm interfacing, Vlieseline® G 710
- sew-on snap fastener, ø 15 mm
- topstitching thread, Epic no. 80

## PATTERN PIECES

	cut
<b>Exterior</b>	
1 main panel	2
2 side panel	1
3 flap	2
<b>Lining</b>	
4 main panel	2
2 side panel	1

## PATTERNS

Trace the pattern pieces with all markings from the pattern sheet. The patterns do not include seam allowances. Draw a rectangular pattern (length 35 cm, width 3 cm) for the shoulder strap.

## CUTTING

Cut purse pieces from linen fabric as indicated on list of pattern pieces: Lay pattern pieces on a double layer of fabric, placing wider end of pattern piece for side panel and one end of pattern piece for shoulder strap on fabric fold. Pin pattern pieces on fabric and cut purse pieces out, adding 10 mm seam allowances to all cut edges. See cutting layout.

## SEWING

**Construction techniques:** Stitch seams with straight stitch. No seam finish is necessary as the purse is fully lined.

**Stabilizing:** Fuse interfacing to both flap pieces and to all lining pieces (cut interfacing pieces with 2 mm seam allowances).

**Joining purse lining:** Pin and stitch one main panel to one long edge of side panel right sides together. Press seam allowances toward side panel. Pin and stitch the other main panel to the other long edge of side panel in the same way, leaving small opening for turning between pattern markings A and B in straight portion of side edge of purse lining. Press seam allowances toward side panel.

**Joining purse exterior:** Sew gathering stitches between pattern markings at curved edges of both main panels. Gather main panels to fit long edges of side panel. Pin and stitch main panels to long edges of side panel right sides together, matching pattern markings for gathering with pattern markings on side panel. Fold seam allowances toward side panel and topstitch seams close to seamline. Remove any visible gathering stitches.

**Shoulder strap:** Fold shoulder strap piece in half lengthwise, right sides together, and stitch long edges together. Press seam open. Turn shoulder

strap right side out and press it flat, placing seam along one edge of strap. Machine-baste ends of shoulder strap to upper edges of exterior side panel right sides together.

**Flap:** Pin flap pieces right sides together and stitch their curved outer edges together. Trim seam allowances to 3 mm. With flap inside out, understitch seam allowances to one flap piece close to seamline (on finished purse, understitching will be on the underside of flap). Turn flap right side out and press it flat. Machine-baste open edges of flap together. Pin and stitch flap to upper edge of one exterior main panel right sides together.

**Joining purse exterior and lining:** Turn purse exterior inside out, then fold flap and shoulder strap within purse exterior. Turn purse lining right side out and place it within purse exterior right sides together. Pin and stitch upper edges of exterior and lining together. Trim seam allowances slightly. Turn purse right side out through opening for turning and press its upper edge. Close opening for turning by hand-stitching. Sew socket half of snap fastener at pattern marking on purse front, passing the thread through both exterior and lining main panels. Sew stud half of snap at pattern marking on the underside of flap so that stitches are not be visible on the outside of flap.

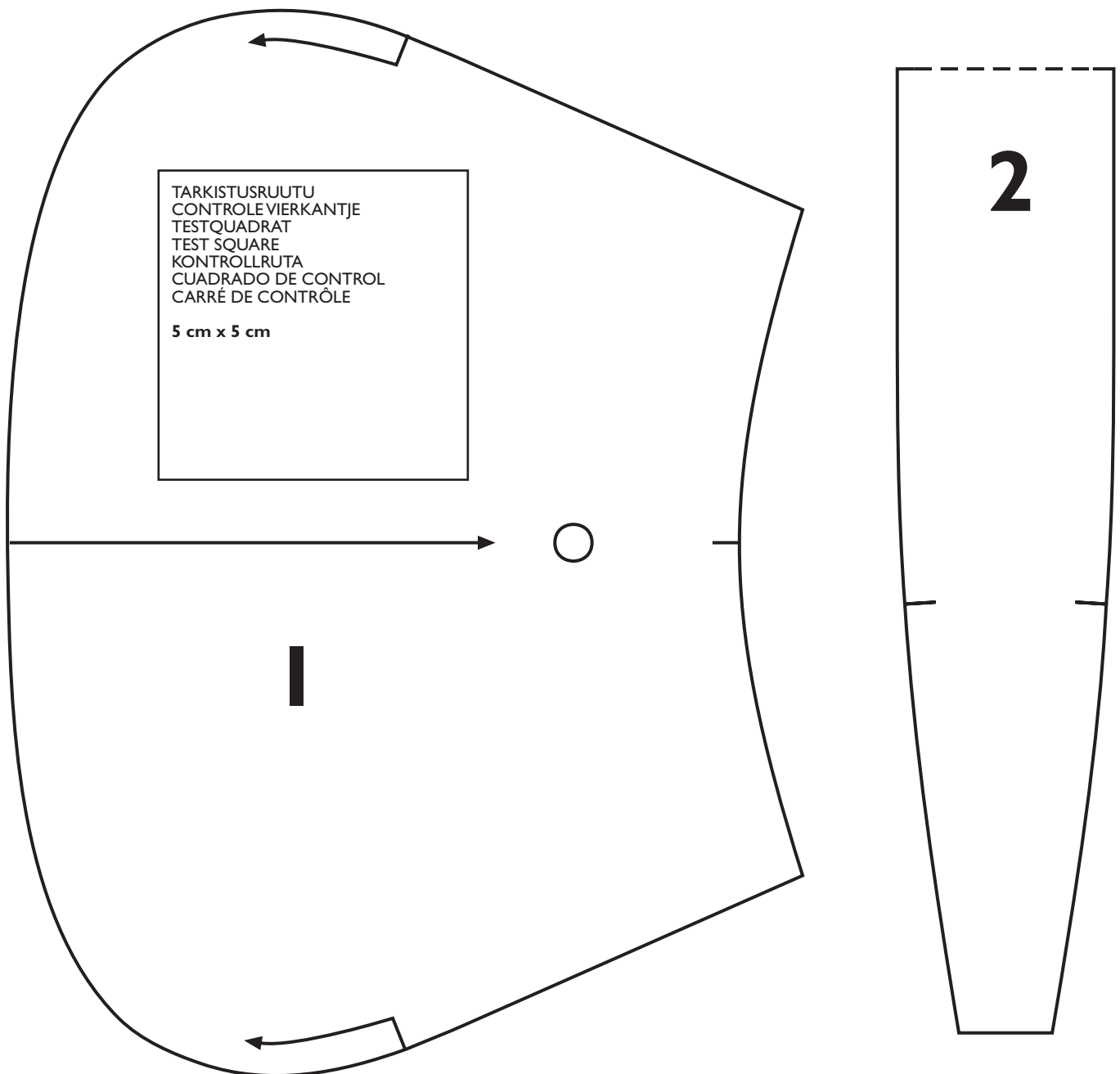
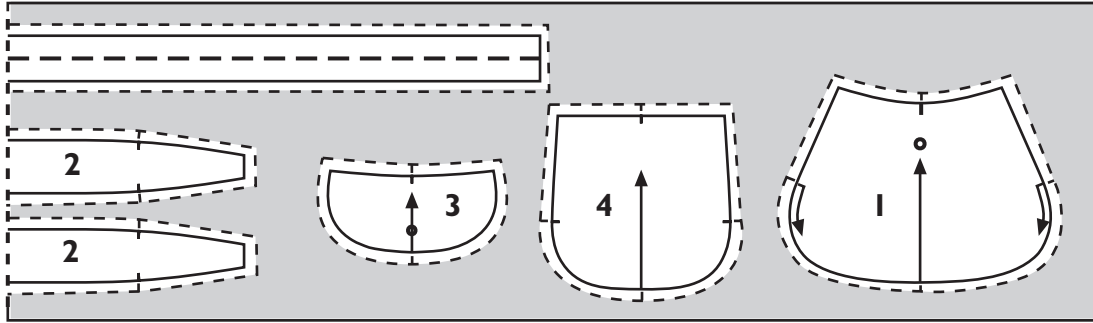
## © OTTOBRE design® | STUDIO TUUMAT OY

The designs, instructions and patterns are only intended for personal use by sewing hobbyists. All commercial or industrial use is prohibited. The designs, instructions, patterns, drawings and photos are protected by copyright laws and the right of reproducing them by any means or in any form is exclusively reserved for the copyright holder. The transferring of the material to a device that can be used for copying it is also regarded as reproduction. All rights reserved.

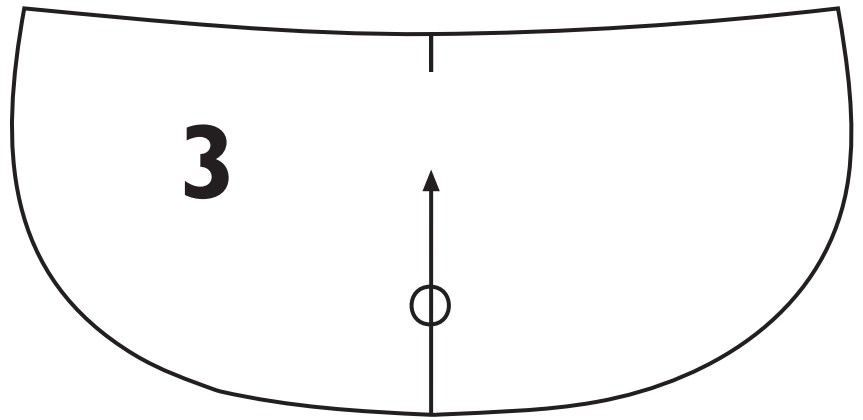
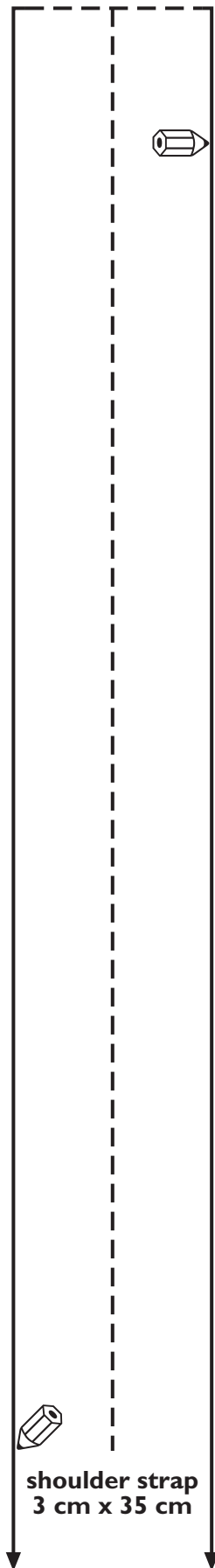
# OTTOBRE

# SHOULDER PURSE FOR A CHILD

Cutting layout



# SHOULDER PURSE FOR A CHILD



TARKISTUSRUUTU  
CONTROLE VIERKANTJE  
TESTQUADRAT  
TEST SQUARE  
KONTROLLRUTA  
CUADRADO DE CONTROL  
CARRÉ DE CONTRÔLE

2 inches x 2 inches  
2 x 2 tuumaa  
2 x 2 pouces

