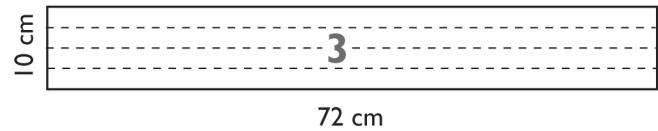
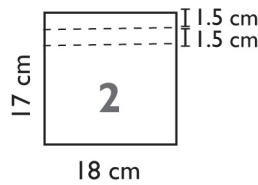
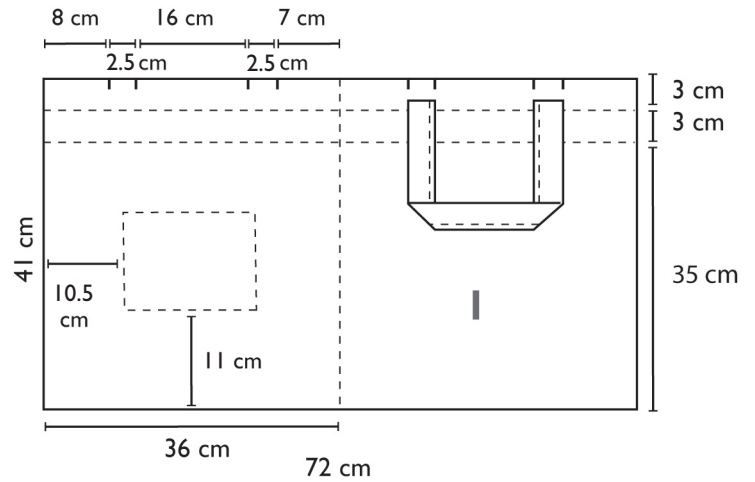


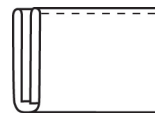
FABRIC TOTE BAG

height 34 cm, width 35 cm



PATTERN PIECES

1	bag panel	1
2	pocket	1
3	handle	2



MATERIALS

- 45 or 65 cm firm cotton fabric (CO), width 145 or 90 cm

CUTTING

Draw the pattern pieces for the bag according to the measurements given on the small-scale patterns (measurements include 10 mm seam allowances). Cut pieces from fabric as indicated on list of pattern pieces.

SEWING

Construction techniques: Stitch seams with straight stitch and finish them with serger or zigzag stitch.

Preparation: Mark placement of handles and pocket on bag panel, observing markings on small-scale pattern. Fold top edges of bag panel and pocket to wrong side twice as marked on pattern and press folds.

Pocket: Pin and stitch hem at top edge of pocket as marked on

pattern. Turn seam allowances at side and bottom edges of pocket to wrong side and stitch pocket to bag panel close to edge.

Handles: Fold and press each handle in four lengthwise, wrong sides together (see illustration). Pin long edges of handles and topstitch them close to edge.

Joining: Machine-baste handles to right side of top edge of bag panel as shown in illustration, placing their ends 2 cm below top edge. Fold bag panel in half right sides together and stitch bottom and side edges of bag. Pin and stitch hem (3 cm + 3 cm) at top edge of bag. Fold handles right way up and stitch them to top edge of bag with rows of back-and-forth stitching.

OTTOBRE