

CUTTING

Cut the following pieces for the pocket:

From fashion fabric:

- inner pocket piece
- pocket welt*

From cotton fabric:

- outer pocket piece
- 1.6 cm x 8 cm strip for button loop

Add 10 mm seam allowances to edges of pocket pieces. *Pattern piece for pocket welt includes seam allowances.

SEWING

1. Mark center line on wrong side of pocket welt with tailor's chalk. Mark placement of pocket opening on right side of pants back, observing pattern markings.

Fuse 2.5 cm x 16 cm piece of interfacing to wrong side of pocket opening area on pants back.

2. Pin pocket welt to pants back right sides together, aligning its center line with marking for pocket opening. Baste welt in place along center line.

3. Turn and press long edges of welt to wrong side of welt, so that they are aligned with center line.

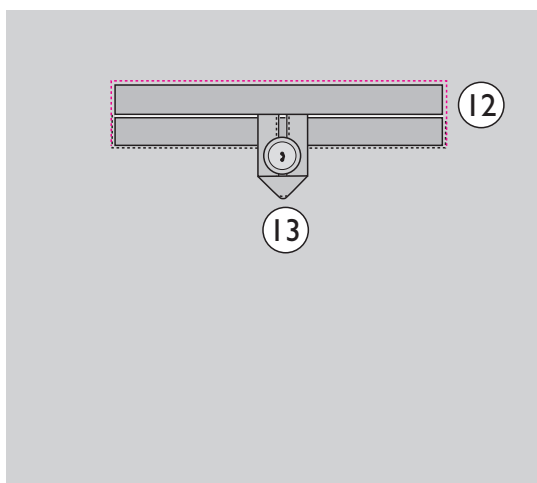
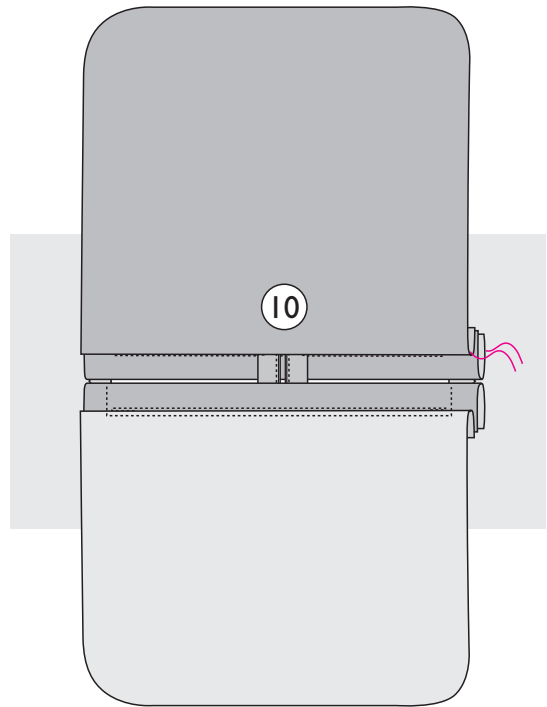
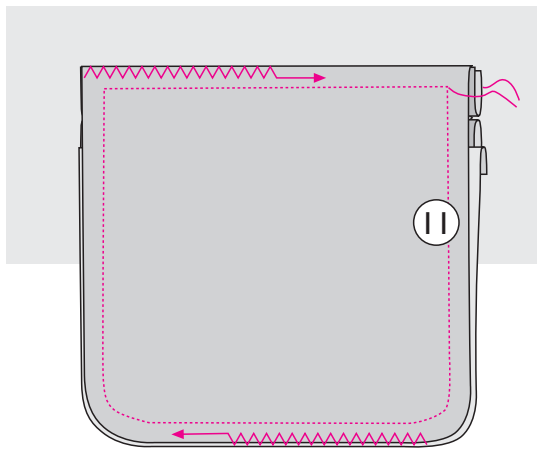
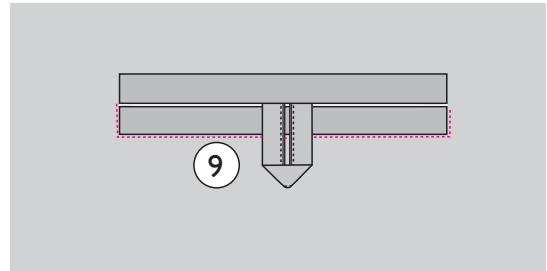
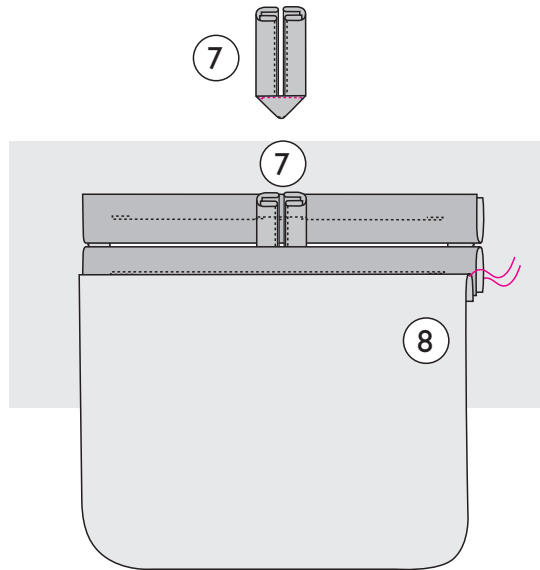
4. Stitch two rows of stitching through all layers along pocket welt, placing them on either side of pocket opening and stitching exactly in the middle of folded portions of welt. Start and end stitching 10 mm away from ends of welt.

Remove basting stitches and cut pocket welt in half along center line.

5. Lay pants back wrong side up and slash pocket opening from wrong side, cutting diagonally to ends of previous rows of stitching to form triangles at ends of pocket opening.

6. Turn edges of pocket opening and welts to wrong side and flip pocket welts in position. Pin and stitch triangles, formed at ends of pocket opening when slashing it, to pocket welts. >>>

OTTOBRE



7. Fold button loop strip in half lengthwise wrong sides together, turn seam allowances at its long edges in and stitch edges together. Fold strip in half to form a loop and stitch the triangle formed at end of loop.

Place open ends of button loop under upper edge of pocket opening and machine-baste them to pocket welt.

8. Pin and stitch outer pocket piece to lower pocket welt right sides together.

9. Topstitch lower edges of pocket opening from right side close to seamline.

10. Pin and stitch inner pocket piece to upper pocket welt right sides together.

11. Pin and stitch edges of pocket pieces right sides together. Serge or zigzag pocket seam allowances together.

12. Topstitch upper edge and ends of pocket opening close to seamline from right side of pants back.

13. Sew button at lower edge of pocket opening.

OTTOBRE