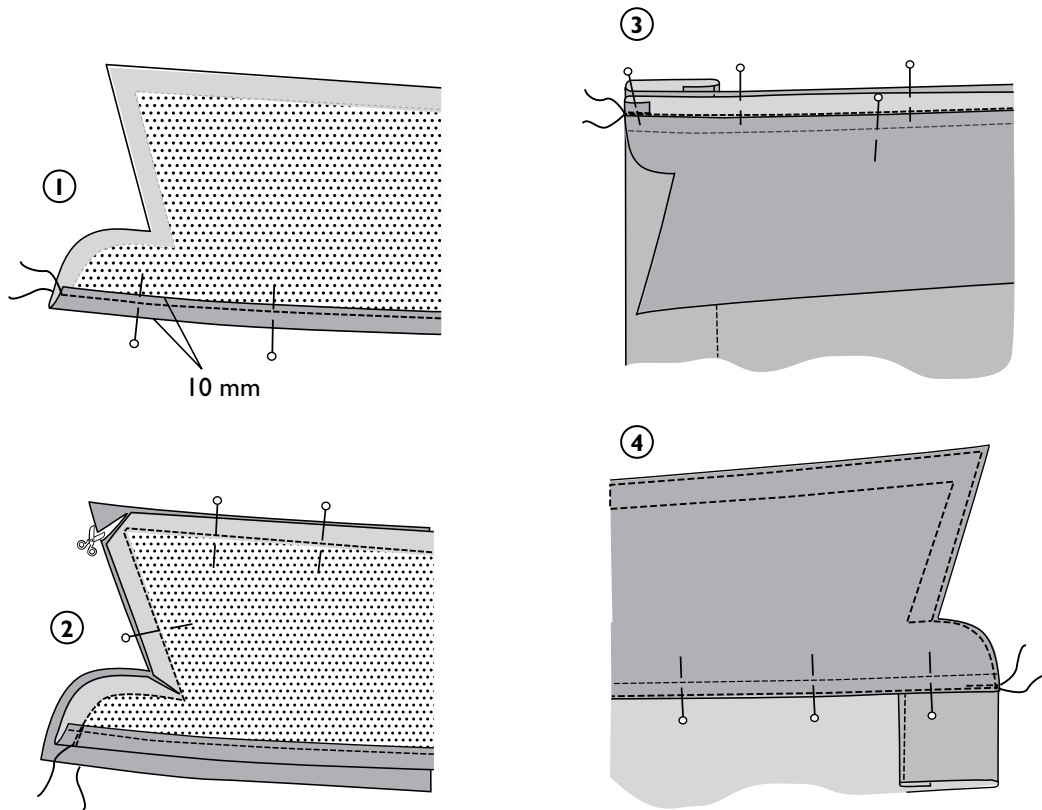


COLLAR



1. Fuse interfacing to upper collar. Turn and press seam allowance at bottom edge of upper collar to wrong side and stitch presser-foot width away from edge.

2. Pin collar pieces right sides together and stitch their outer edges together. Trim corners, clip to stitching at inward corners and press collar seams open gently with point of iron.

3. Turn collar right side out and press it flat. Pin and stitch under collar to garment's neckline right sides together.

4. Turn all neckline seam allowances inside collar, pin bottom edge of upper collar to neckline carefully and stitch. Topstitch around collar: topstitch edges of actual collar with two parallel rows of stitching and sew topstitching close to edge along curved front corners of collar.

OTTOBRE